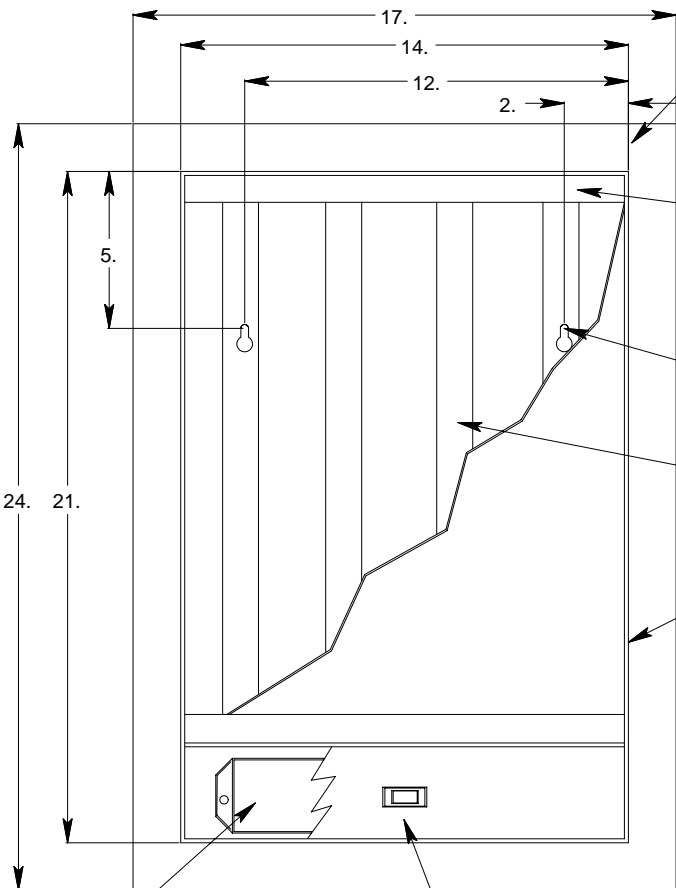


SERIES: TECHLINE

MODEL NUMBER: TR401

DESCRIPTION: SINGLE PANEL, 4 LAMP, RECESS MOUNT CONFIGURATION

FRONT VIEW

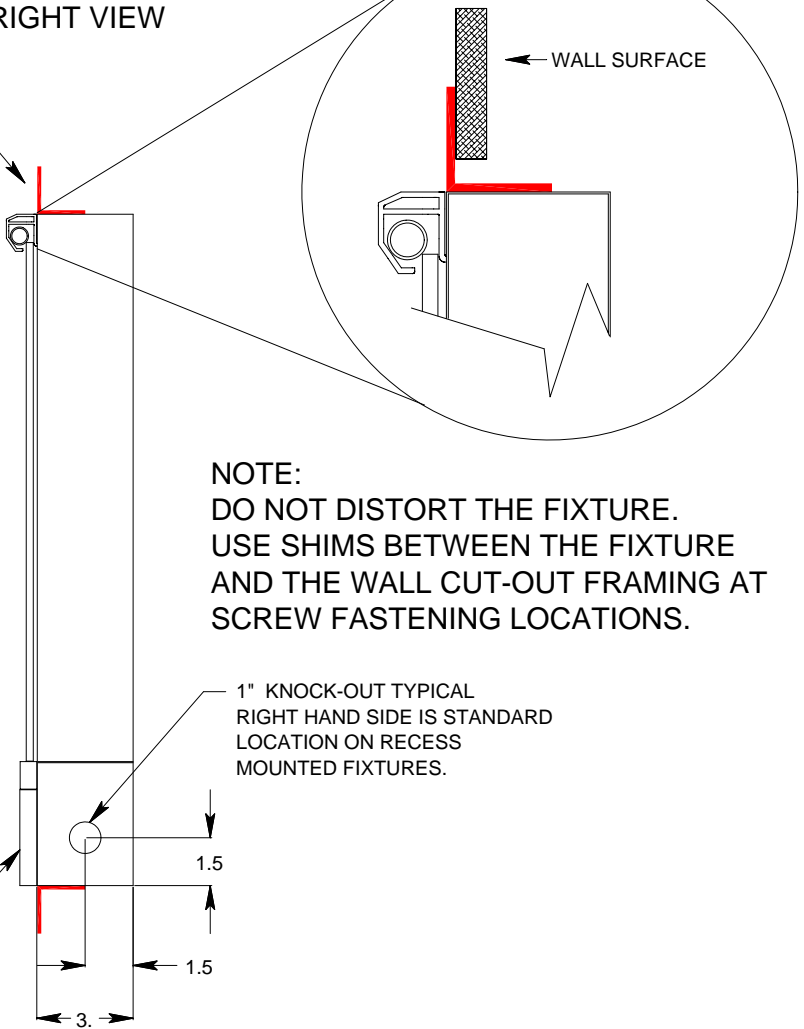


- 1 1/2" RECESS TRIM FLANGE IS FACTORY ATTACHED ON EACH OF THE FOUR SIDES OF RECESS MOUNTED CONFIGURATIONS
- ROLLER GRAVITY FILM RETAINER
- 3/8 MAX DIA. FOR FASTENING FIXTURES TO WALL, KEYHOLE 3/16" SLOT
- FLUORESCENT LAMPS PROVIDED. LAMP MODEL# F15T8/D 4 EA-(400 SERIES)
- BODY IS STANDARD 18 GAUGE WELDED STEEL CONSTRUCTION

(1) BALLAST PER PANEL:
RAPID START, LOW LEAKAGE
THERMALLY PROTECTED
CLASS P TYPE
400 SERIES-1.4 AMPS/PANEL
PN - 1060U

SWITCHING MODULES
STANDARD ON/OFF

RIGHT VIEW



NOTE:
DO NOT DISTORT THE FIXTURE.
USE SHIMS BETWEEN THE FIXTURE
AND THE WALL CUT-OUT FRAMING AT
SCREW FASTENING LOCATIONS.

ROUGH IN CUT OUT DIMENSION: 14 3/4" X 21 3/4"

MAXANT TECHNOLOGIES, INC.
7540 CALDWELL AVE.
NILES, IL. 60714
(800) 307-4190