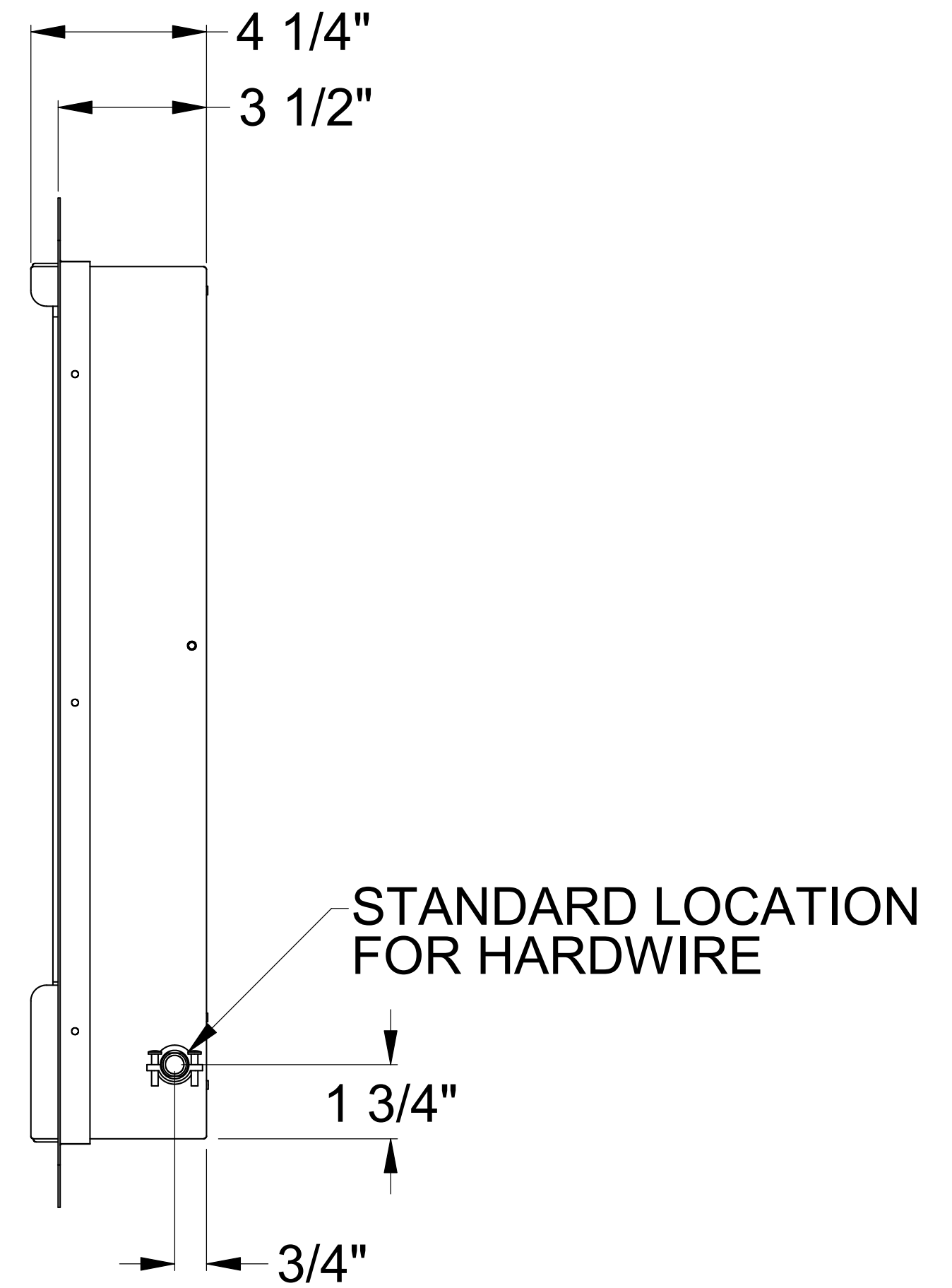
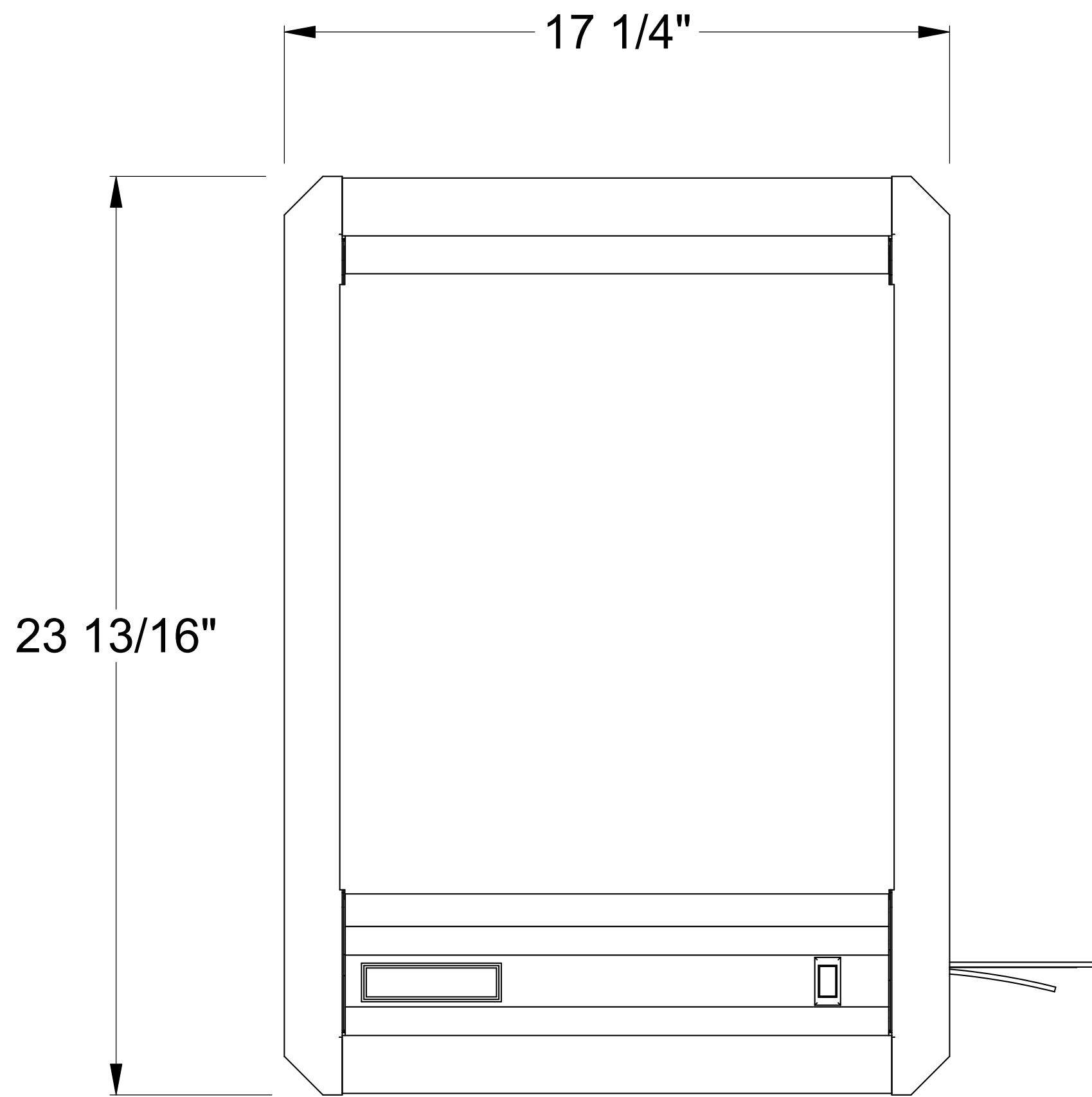


# Econobox 1 Bank Recessed Unit



Electrical Requirements: 120VAC, 60 Hertz, Single Phase  
Power Rating: 1.2A  
Rough Opening Dimensions:  $21 \frac{1}{2}$ " x 15"